



DVI-D, RS232, USB 1.1 and Audio Extender over 3 STP Cables

DVI-D, RS232, USB 1.1 and Audio Extender up to 275 feet over 3 STP Cables

FEATURES

- Top image quality at all resolutions
- Resolutions up to 1920 x 1200 at 60Hz (1280 x 1024 at 75Hz)
- Distance: 275 feet with 3 CAT6 STP cables
- Compatible with all operating systems
- Compatible with all major KVM switches
- Rack mount options (19)
- Supports USB 1.1 keyboard and mouse
- Uses easy-to-install, inexpensive pair cable
- Data recovery for digital video
- Fully-compliant with USB 1.1 specifications
- Supports 1.5 and 12Mbps data rates
- External power adaptors for transmitter and receiver units
- Fully-transparent (does not use any emulation)
- Plug-and-play

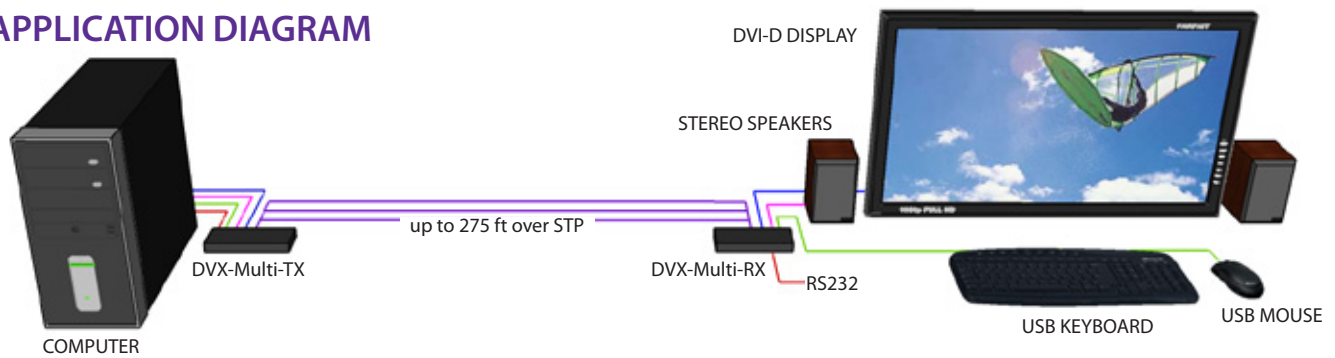
APPLICATIONS

- Medical Applications
- Industrial Work Areas
- Home Theater Integration
- Digital Signage Deployment
- Information Kiosks/Displays
- Film/Recording Studios



SPECIFICATIONS

APPLICATION DIAGRAM



| VIDEO | |
|-----------------------|-------------------------|
| Format | DVI-D Single Line |
| Maximum Pixel Clock | 165 MHz |
| Input Interface (TX) | (1) DVI-D 29-pin female |
| Output Interface (RX) | (1) DVI-D 29-pin female |
| Resolution | Up to 1920 x 1200 @60Hz |
| DDC | 5 volts p-p(TTL) |
| Input Equalization | Automatic |
| Input Cable Length | Up to 20 ft. |
| Output Cable Length | Up to 20 ft. |
| USB | |
| Signal Type | USB 1.1 |
| Input Interface (TX) | (1) USB Type B (Female) |
| Output Interface (RX) | (4) USB Type A (Female) |
| AUDIO | |
| Frequency Response | 20 Hz to 20 KHz |
| Impedance | 600 ohm |
| Nominal Level | 0-1.0 V |
| Common Mode | Rejection at 60dB |
| Input Interface | (1) 3.5 mm Stereo Audio |
| Output Interface | (1) 3.5 mm Stereo Audio |

| RS232 | |
|-----------------|----------------------------------|
| Input Interface | DB9 Male |
| Control | Via Software @ 19,200 bps |
| OTHER | |
| Power | External 100-240 VAC/5VDC4A @20W |
| Dimensions | 7.5 in W x 1 in H x 3.5 in D |
| Weight | 1 lb |
| Operating Temp. | 0-55 °C (32-131°F) |
| Storage Temp. | -20-85 °C (-4-185 °F) |
| Humidity | Up to 95% |

| ORDERING INFORMATION | |
|----------------------|--|
| Part No. | Description |
| DVX-MUS | DVI-D, RS232, USB, Audio over CAT6 STP Extender. Includes: [DVX-MU-TX, DVX-MU-RX and 2 x (PS5VDC4A)] |

Many leading companies have recognized and embraced the innovation of SmartAVI's technologies and have successfully incorporated them into their organizations. Clients of SmartAVI include:



SmartAVI, Inc. / Twitter: smartavi - 11651 Vanowen St. North Hollywood, CA 91605
Tel: (818) 503-6200 Fax: (818) 503-6208 - <http://www.SmartAVI.com>

Smart-*AVI*
SMART AUDIO VIDEO INNOVATION


Made in the USA

www.smartavi.com