

# Dual DVI-D and USB 1.1 Extender Family



## DVX-2U

### Dual DVI-D and USB 1.1 Extender over STP

Dual DVI-D and USB 1.1 Extender up to 220 feet Over STP Cable

## OVERVIEW

The DVX2U is the perfect solution for extending dual DVI-D displays and USB I.I devices to a remote location. It extends DVI-D and USB I.I signals to a remote location up to 220 feet away.

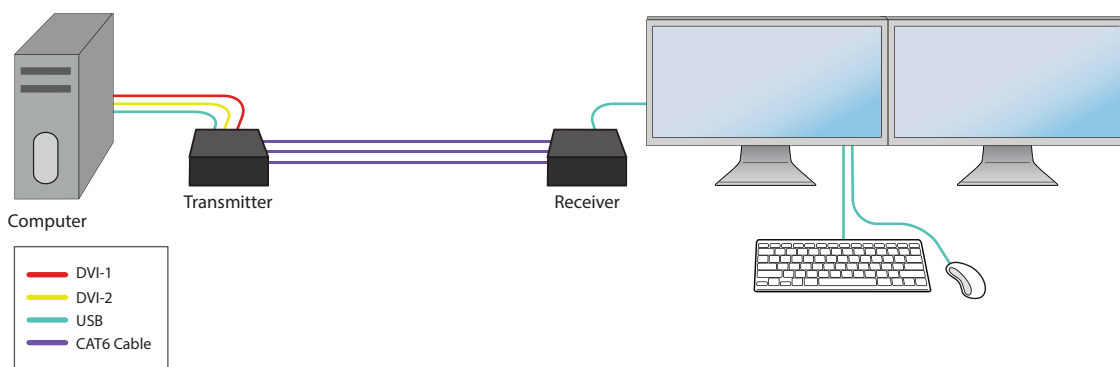
## FEATURES

- DDC from internal table for Mac/PC
- Supports Mac, PC, and Linux DVI
- Supports High Resolution up to 1920x1200 at 60Hz WUXGA
- Uses universal DVI Single Link connectors
- Zero pixel loss with TMDS signal correction
- Supports all USB I.I Devices Transparently (Flash Drives, Printers, Cameras, Scanners, etc.)
- Supports USB I.I keyboard and mouse

## APPLICATIONS

- Medical Applications
- Industrial Work Areas
- Home Theater Integration
- Digital Signage Deployment
- Information Kiosks/Displays
- Film/Recording Studios

## APPLICATION DIAGRAM



DVX2U-TX Front



DVX2U-RX Front



DVX2U-TX Rear



DVX2U-RX Rear

## SPECIFICATIONS

VIDEO	
Format	DVI-D Single Line
Maximum Pixel Clock	165 MHz
Input Interface (TX)	(2) DVI-D 29-pin female
Output Interface (RX)	(2) DVI-D 29-pin female
Resolution	Up to 1920 x 1200 @60Hz
DDC	5 volts p-p(TTL)
Input Equalization	Automatic
Input Cable Length	Up to 20 ft.
Output Cable Length	Up to 20 ft.
USB	
Signal Type	USB 1.1
Input Interface (TX)	(1) USB Type B (Female)
Output Interface (RX)	(4) USB Type A (Female)
OTHER	
Power	External 100-240 VAC/5VDC4A @20W
Dimensions	8.25 in W x 1 in H x 3.5 in D
Weight	1 lb
Operating Temp.	0-55 °C (32-131°F)
Storage Temp.	-20-85 °C (-4-185 °F)
Humidity	Up to 95%

Part No.	Description
DVX2US	2 DVI-D and USB over CAT6 STP Extender. Includes: [DVX2U-TX, DVX2U-RX and 2 x (PS5VD4A)]

Many leading companies have recognized and embraced the innovation of SmartAVI's technologies and have successfully incorporated them into their organizations. Users of SmartAVI include:



[www.smartavi.com](http://www.smartavi.com)

Tel: 800.AVI.2131 • 818.503.6200 • 11651  
Vanowen St. North Hollywood, CA. 91605

**Smart-AVI**  
SMART AUDIO VIDEO INNOVATION