

TECHNICAL SPECIFICATIONS

INPUTS	
Audio	3.5mm phone jack
Component	(5) RCA YPbPr: 1080p@50/60Hz, 1080i@50/60Hz, 720p@50/60Hz, 576i/p, 480i/p with stereo audio input
VGA	640x480@60Hz, 800x600@60Hz, 1024x768@60Hz, 1280x1024@60Hz, 1280x720@60Hz, 1360x768@60Hz, 1440x900@60Hz, 1680x1050@60Hz, 1920x1080@60Hz with stereo audio input
Composite	(3) RCA CVBS: PAL, NTSC, SECAM with stereo audio input
OUTPUT	
Output	HDMI Set 720p or 1080p output format with integrated audio
CONTROL	
Control	Front panel with pushbuttons and LED indicators, IR infrared with remote control supplied
OTHER	
Power	Switching Power Supply 110/220v 5VDC 2A
Operating Temperature Range	0 to +40 °C (32 to +104 °F)
Operating Humidity Range	5 to 90 % RH (no condensation)
Dimensions	5.71 in. W x 2.75 in. H x 0.98 in. D
Weight	0.55 lbs

Smart-AVI
SMART AUDIO VIDEO INNOVATION

NOTICE

The information contained in this document is subject to change without notice. SmartAVI makes no warranty of any kind with regard to this material, including but not limited to, implied warranties of merchantability and fitness for particular purpose.

SmartAVI will not be liable for errors contained herein or for incidental or consequential damages in connection with the furnishing, performance or use of this material.

No part of this document may be photocopied, reproduced, or translated into another language without prior written consent from SmartAVI Technologies, Inc.

Many industry-leading companies have recognized the innovation and power of SmartAVI's technologies and have successfully implemented them within their systems. Users of SmartAVI technology include:

Smart-AVI
SMART AUDIO VIDEO INNOVATION

V2V-MPC

AV to HD Converter-Scaler with USB Media Playback



VGA and YPbPr Converter and Up-scaler with USB Media Playback Capability

800.AVI.2131

Tel: (818) 503-6200 Fax: (818) 503-6208
11651 Vanowen St. North Hollywood, CA 91605

SmartAVI.com



Designed and Manufactured in the USA

QUICK START GUIDE

INTRODUCTION

The V2V-MPC connects to older devices via HDMI, converting video for optimized performance and output picture quality.

The V2V-MPC is easy to use and enhances audio-visual content automatically, so set-up is simple and hassle-free.

With a wide range of device connectivity and refined media output, the V2V-MPC is the best way to make the most of aging AV equipment.

FEATURES

- Installs in seconds, no need for setting
- Auto-detects input resolutions without setting
- Converts YPbPr video and R/L audio into complete HDMI and VGA+stereo audio
- Convert S-video and R/L audio into complete HDMI and VGA+stereo audio
- Supports highest video resolution up to 1080p
- 165MHz/1.65Gbps per channel (6.75Gbps all channel) bandwidth
- 8bit per channel (24bit all channel) deep color
- Supports OSD (On Screen Display) menu

WHAT'S IN THE BOX?

PART NO.	QTY	DESCRIPTION
V2V-MPC-S	1	AV to HD converter and scaler with USB media playback
PS5VDC1A	1	Power Supply
IR Remote	1	Infrared Remote Control
Quick Start Guide	1	Easy Start User Manual

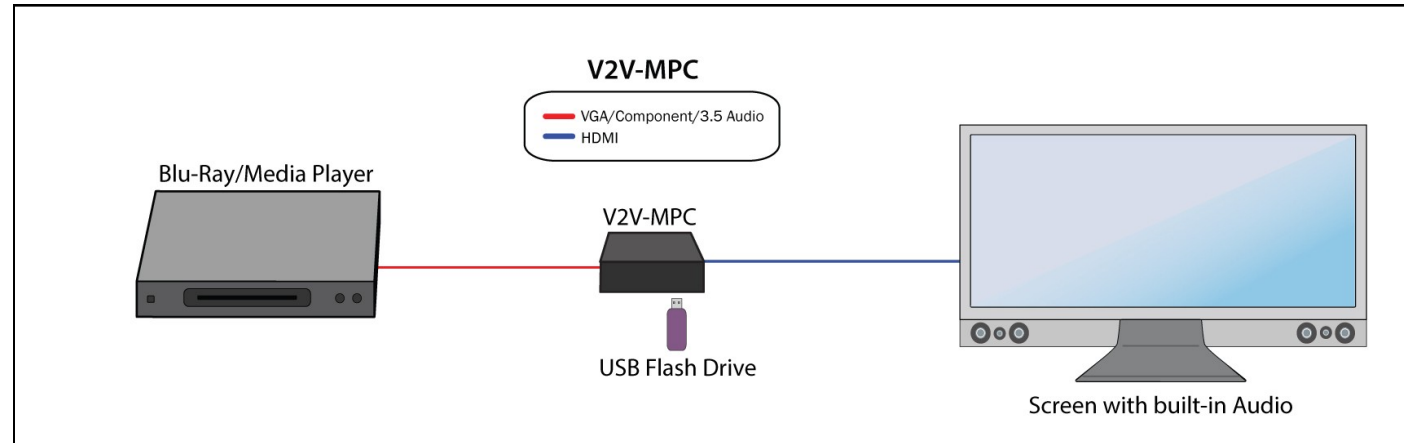
V2V-MPC Front



V2V-MPC Back



INSTALLATION DIAGRAM



CONNECTING THE V2V-MPC

1. Power off all devices
2. Connect the V2V-MPC to a display device via HDMI
3. Connect the VGA input to video source
4. Connect 3.5 Audio jack to the audio output source
5. Connect the component video green "Pr," blue "Pb," and red to the "Y" RCA jacks and the component source audio to L and R.
6. Connect the composite video Yellow jack, to the composite input, and the corresponding audio jacks R and L into Audio-R and Audio-L respectively.
7. Connect the power supply to the DC 5v
8. Turn on the power to each external device
9. Turn on the power to the V2V by toggling the power switch
10. Use the Remote control, or front control panel to change sources.

SUPPORTED FILE TYPES

Video: MPEG, H.264, RM/RMVB
 Audio: MPEG
 Images: BMP, JPEG, PNG

APPLICATIONS

- Courtrooms
- Schools
- Conference Center Systems
- Universities
- Hospitals
- Control Room Systems
- Broadcasting Facilities
- Recording Studios



Front-Panel Buttons

- On/Off: Power device on or off
- Input: Switch between input signals
- 720/1080: Switch output resolutions
- Zoom: Enlarge or reset picture
- Picture: Adjust picture quality