

RK8-HDX-POE

8-PORT HDMI, IR AND POWER EXTENDER RACK OVER CAT5E/6



CONSOLIDATE UP TO EIGHT HDMI EXTENDERS IN ONE POWERED RACK UNIT TO TRANSMIT HD SIGNALS USING CAT5E/6

FEATURES

- Extends HDMI, IR, and Power Output over Cat5e/6
- Extends IR Control Signals for Remote Control
- Full HD support: 1080p@60Hz@48 bit/pixels, 1080p@120Hz@24 bit/pixels, 3D 1080P60Hz and 4K x 2K@30Hz@24bit
- Data Signals up to 3.4Gbps
- HDMI 1.4 and HDCP Compliance
- Power receiver from transmitter
- Transmits Dolby TrueHD, DTS-HD MA Audio Signals
- Transmits 1080p Resolution Video up to 250 ft
- Rack mountable
- Up to 8 units on single rack

APPLICATIONS

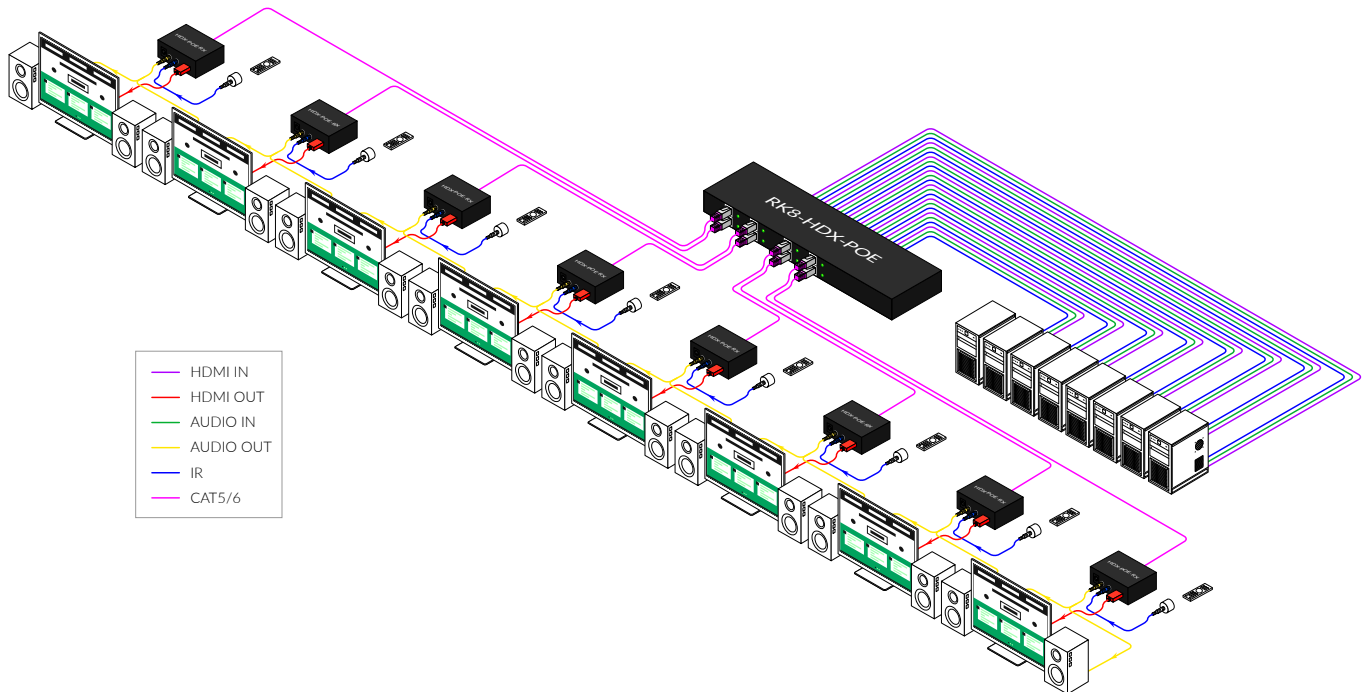
- Home Theater
- Corporate/Educational Presentations
- Call Centers
- Industrial (Long-Range Workstation Isolation)
- Information Terminals/Kiosks
- Airport Installations (Air Traffic Control/Passenger Information)
- Educational Environments with Remote Displays



Designed and Manufactured in the USA

OVERVIEW

The RK8-HDX-POE is the perfect solution for extending HDMI signals to a remote location up to 250 feet away. It is the ideal way to consolidate up to eight workstation computers into one location. It is fully compatible with MAC, PC and LINUX HDMI standards. Up to eight displays can be extended easily from a rack without the mess or expense of multiple extenders. Rather than buy multiple extenders for rack components, and having to find power strips or numerous power outlets for the adapters, the SmartAVI rack series of extenders allows for up to eight inputs and eight outputs with only one power supply.



RACK TO ENDPOINT

If your company uses a rack of source devices, whether it be computer servers, DVD players or other hardware, the RK8-HDX-POE allows you to run all of those components into one extension box that supports up to eight inputs/outputs on one power supply. In this example, source signals are being routed from a company rack through the RK8-HDX-POE to multiple displays. The rack utilizes SmartAVI's HDX-POE-RX receiver unit at the end point to convert the Cat5e/6 feed back into an HDMI signal. The receiver has the option to be powered from the transmitter.

FRONT AND BACK



RK8-HDX-POE Front



RK8-HDX-POE Back

HDX-POE-RX

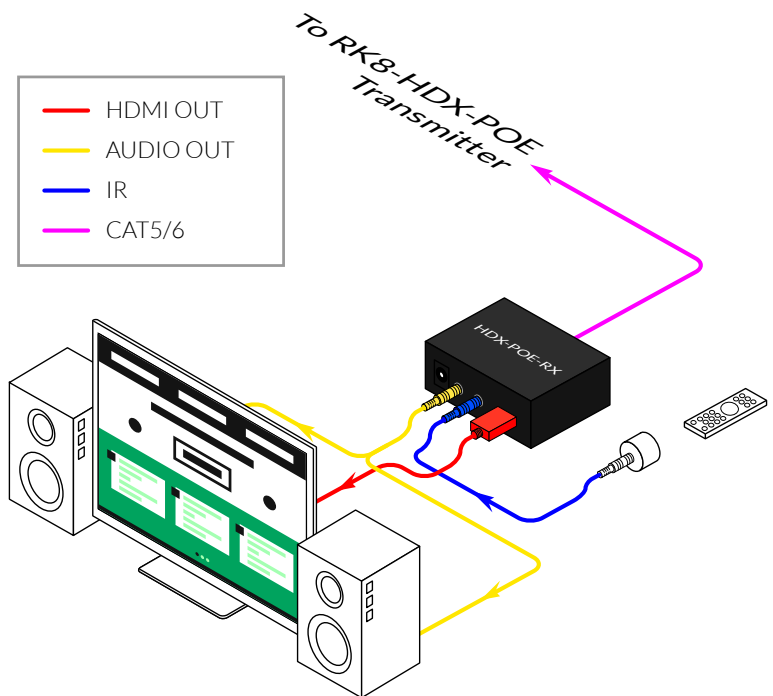
SmartAVI's HDX-POE-RX is an innovative solution to extending any HDMI signal – be it a gaming console, Blu-Ray player, computer, etc. – over inexpensive Cat5/e6 STP cabling up to 250 feet away to one remote display and one local screen for realtime monitoring of content. This is the perfect solution for broadcasting high-definition media easily and inexpensively from a source to display screen for customers to view while keeping the CPU in a remote, secure location such as a computer room or back office of a business. Utilizing the HDX-POE-RX, users can monitor what's being shown to customers in real-time via a local display while users retain full control over the CPU or HDMI source, accessible only by key personnel. The HDX-POE-RX is a compact unit that is easily integrated into a digital display network in a retail store, bar/lounge or other venue. The receiver unit is small and light, which makes inclusion into infrastructure very simple.



HDX-POE-RX Front



HDX-POE-RX Back



TECHNICAL SPECIFICATIONS	
Video Output	HDMI 1.3 and HDCP compliant
Resolution	800X600, 1024X768 , 1280X1024, 1366X768, 1920X1200, 480i, 720p, 1080i, 1080p and 3D
Dimensions	0.9" H x 2.9" W x 3.7" D
Input	(1) RJ-45
Bandwidth	10.2Gbps
Power Adaptor	External 12V2.5A

TECHNICAL SPECIFICATIONS

VIDEO	
Resolution	800X600, 1024X768 , 1280X1024, 1366X768, 1920X1200, 480i, 720p, 1080i, 1080p, 4K x 2K@30Hz@24bit
Transmission Distance	70 meters
Color Depth	Deep Color 36/30/24 Bit at 1080p and 3D
Audio Format	Up to PCM 8 channel, Dolby Digital TrueHD, and DTS-HD Master Audio
IR Range	38kHz, 56kHz
Video Bandwidth	10.2Gbps
Input Video Signal	1.2 Volts P-P
Input DDC Signal	5 Volts(TTL)

I/O CONNECTOR (Transmitter)	
Input	(8) HDMI-A 19-pin (female) (8) 3.5mm Jack for IR Receiver
Output	(8) RJ45 Jack

I/O CONNECTOR (RECEIVER)	
Input	(1) RJ45 Jack (1) 3.5mm Jack for IR Receiver (5) 2.5mm
Output	(1) 3.5mm Jack for IR Emitter (1) HDMI-A 19-pin (female)

OTHER	
Power	110/220V
Dimensions	17" H x 6" W x 1.7" D
Weight	3.26 lbs
Approvals	UL, CE, ROHS Compliant
Operating Temperature	0 to 40° C (32° to 104° F)
Storage Temperature	-20° to 60°C (-4° to 140° F)
Humidity	10% to 85% (Non-condensing)

PART NO.	DESCRIPTION
RK8-HDX-POE-S	HDMI and IR 8-Port Rackmount Extender Transmitter over a Single Cat5/5e/6 Cable. Includes: [RK8- HDX-POE-S and CCWPWR]
HDX-POE-RX-S (not included)	HDMI and IR Receiver over a Single CAT5e/6 Cable. Includes: [HDX-POE-RX-S and PS12VD2A]

www.smartavi.com

Tel: (888)-994-7427 • (702) 800-0005
2455 W Cheyenne Ave, Suite 112
North Las Vegas, NV 89032

Smart-AVI
SMART AUDIO VIDEO INNOVATION