

# KLX-500

## Chainable DVI/VGA KVM Extender via LAN



Break distance barriers to extend DVI/VGA and KVM signals over IP using Cat5e/6 cables

### FEATURES

- Extends KVM operation by 500 feet via LAN (Cat5e/6 cables)
- Chainable for thousands of feet of extension
- Supports DVI and VGA input
- Supports full USB emulation for keyboard-video-mouse operation
- Audio input and output
- Dual control operation, for local and remote use of KVM
- Supports 1080p up to 1920x1080 resolution at 60Hz
- Plug-and-Play ready
- No software or driver required

### APPLICATIONS

- Digital Signage
- Public Presentations
- Security and Surveillance
- PC Networking
- Healthcare Supervision
- Educational Spaces
- Hotel Displays
- Convention Centers
- Point of Sale and Retail
- Military and Government Systems
- Isolated, Remote Work Outposts
- Video Conferencing
- Control Room Systems
- Recording/Production Studios

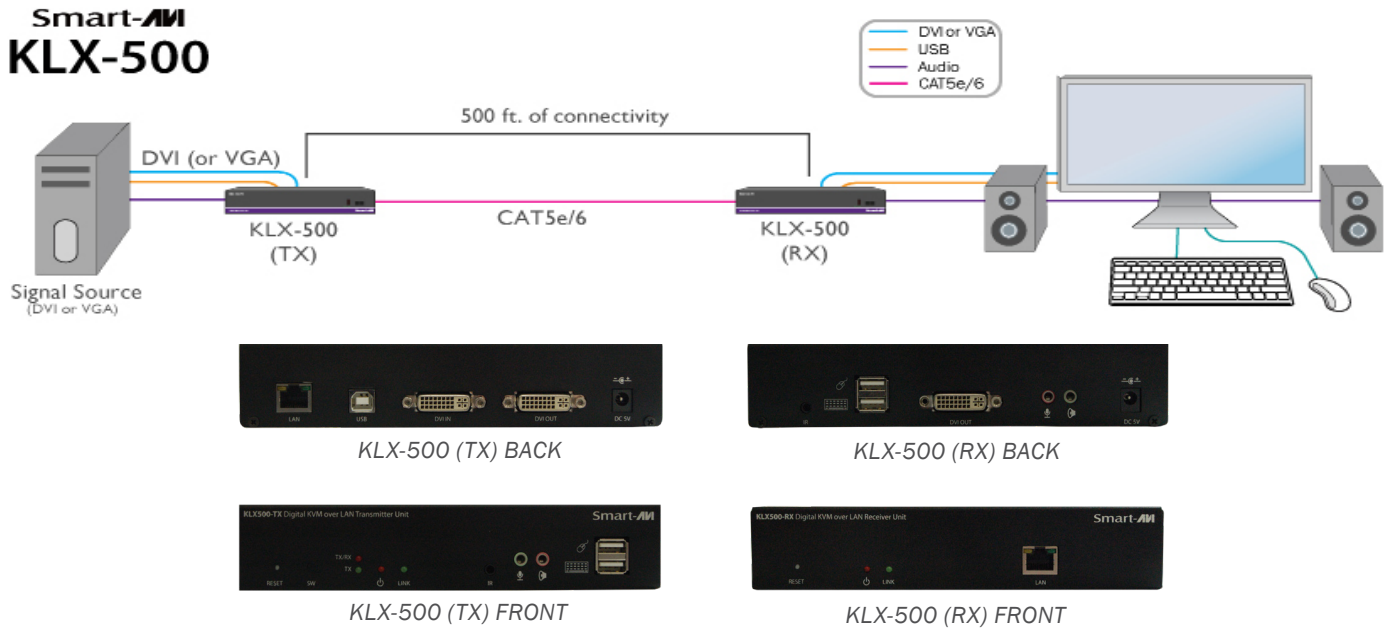


# OVERVIEW

The KLX-500 Extender provides 500 feet of connectivity using Cat5e/6 cables used in LAN infrastructure to extend KVM (Keyboard, Video and Mouse) operation of DVI and VGA input. Chain additional extenders to extend signals even further and transmit crystal clear audio-video signals in real-time.

The KLX-500 is an ideal fit in preexisting LAN infrastructures, like corporate office environments and data centers. The KLX-500 supports full USB emulation and 1080p HD video up to 1920x1080 resolution at 60Hz. The KLX-500 features dual control operation for local and remote KVM support, so managing workflow is never more than a mouse-click away. Built with plug-and-play functionality, setting up and running KLX-500 is simple and seamless; no drivers or software installations required. The KLX-500 compresses data to utilize Cat5e/6 cables at no loss to performance or picture quality. For the best visual and control results when going the distance, KLX-500 has your KVM and HD video needs covered.

# APPLICATION DIAGRAM



Video	
Format	DVI-D
HDTV Resolutions	480p, 720p, 1080i, 1080p/60Hz/48bit
TV Resolution	480i
Input Interface (TX)	DVI-I, 2 USB Type A Female & 1 USB Type B
Output Interface (RX)	DVI-I, 2 USB Type A Female
Input Cable Length (TX)	Up to 40 ft.
Output Cable Length (RX)	Up to 40 ft.
Audio	
Format	Stereo
Input Interface	3.5 mm Jack Socket (Female)
Output Interface	3.5 mm Jack Socket (Female)

System	
Interface	RJ-45
Cable Requirements	CAT 5/5e/6
Maximum Length	500 ft.
Other	
Power	5VDC2A
Dimensions	8.75"W x 1.5"H x 3.5"D each
Weight TX & RX	1.1 lbs.
Approvals	UL, CE, ROHS Compliant
Operating Temp.	41 to 122°F (5 to 50 °C )
Storage Temp.	32 to 149°F (0 to 65 °C )
Humidity	Up to 85%

ORDERING INFORMATION	
Part No.	Description
KLX-500-S	DVI-I KVM with Audio Point-to-Point Extender over LAN or CAT5e/6. Includes: [KLX-TX500, KLX-RX500, and 2 x PS5VD2A-Wall Mount]
KLX-TX500S	DVI-I KVM with Audio Point-to-Point Extender over LAN or CAT5e/6. Includes: [KLX-TX500 and PS5VD2A-Wall Mount]
KLX-RX500S	DVI-I KVM with Audio Point-to-Point Receiver over LAN or CAT5e/6. Includes: KLX-RX500, and PS5VD2A-Wall Mount]



Designed and Manufactured in the USA

**www.smartavi.com**  
 Tel: 800.AVI.2131 • 818.503.6200  
 2455 W Cheyenne Ave, Suite 112  
 North Las Vegas, NV 89032

**Smart-AVI**  
 SMART AUDIO VIDEO INNOVATION