

TECHNICAL SPECIFICATION

VIDEO	
Format	DisplayPort 1.2
Maximum Pixel Clock	165 MHz
Input Interface (TX)	(8) DisplayPort
Output Interface (RX)	(2) DisplayPort
Resolution	Up to 4K (3840x2160 @60Hz)
DDC	via AUX
Equalization	Automatic
Input Cable Length	Up to 15 ft.
Output Cable Length	Up to 15 ft.
AUDIO	
Input Interface	(4) 3.5 mm Mic Audio
Output Interface	(1) 3.5 mm Mic Audio
Impedance	600 Ohm
Frequency Responce	20 Hz to 20 kHz
Nominal Level	0-1.0 V
Common Mode	Rejection at 60 dB
USB	
Signal Type	USB 2.0
Input Interface (TX)	(4) USB Type B
Output Interface (RX)	(2) USB 1.1 Type A K/M (2) USB 2.0 Type A Transparent
CONTROL	
Front Panel	Buttons, Select/Switch between Video & Audio sources and view the current selected channel
Hot Keys	Via Keyboard
OTHER	
Power	External 100-240 VAC/5VDC3A
Dimensions	2.875" H x 6" D x 12.75" W
Weight	4.4 lbs (unit only)
Operating Temp.	0-55 °C (32-131 °F)
Storage Temp.	-20-85 °C (-4-185 °F)
Humidity	Up to 95%
Emulation	Keyboard and mouse only

WHAT'S IN THE BOX

PART NO.	Q-TY	DESCRIPTION
DPN-4DUO-S	1	4-Port Dual-Head DisplayPort KVM Switch with USB 2.0 and Mic Audio Support
PS5VD3A-WMT	1	PS5VD3A Power Supply
Quick Start Guide	1	

NOTICE

The information contained in this document is subject to change without notice. SmartAVI makes no warranty of any kind with regard to this material, including but not limited to, implied warranties of merchantability and fitness for particular purpose.

SmartAVI will not be liable for errors contained herein or for incidental or consequential damages in connection with the furnishing, performance or use of this material.

No part of this document may be photocopied, reproduced, or translated into another language without prior written consent from SmartAVI Technologies, Inc.



800.AVI.2131, 702.800.0005
2455 W Cheyenne Ave, Suite 112
North Las Vegas, NV 89032

SmartAVI.com

Smart-AVI
SMART AUDIO VIDEO INNOVATION

DPN-4DUO

4 Port Dual-Head DisplayPort USB KVM Switch with Mic Audio and USB 2.0 Support



**ACCESS & CONTROL
UP TO 4 COMPUTERS
FROM A SINGLE WORKSTATION**

Quick Start Guide

SYSTEM CONTROL

There are three ways to control the DPN-4DUO: Keyboard HotKeys, RS-232 Serial Commands, and Front Panel Buttons.

The settings for the serial connection are as follows:
Baud rate: **115200**; Data Bits: **8**; Parity: **None**; Stop Bits: **1**;
Flow Control: **None**.

The following commands can be used:

Command	HotKey	RS-232
All USB, audio, video	[CTRL] [CTRL] [port#] [ENTER]	//m[port#] [ENTER]
Audio Only	[CTRL] [CTRL] a[port#] [ENTER]	//a[port#] [ENTER]
KM Only	[CTRL] [CTRL] c[port#] [ENTER]	//c[port#] [ENTER]
USB Only	[CTRL] [CTRL] u[port#] [ENTER]	//u[port#] [ENTER]
Learn EDID	[CTRL] [CTRL] e [ENTER]	//e [ENTER]
Trigger Hotplug	[CTRL] [CTRL] h [ENTER]	//h [ENTER]
Reset Software	[CTRL] [CTRL] r	//r [ENTER]
Factory Defaults	[CTRL] [CTRL] f	//f [ENTER]
Same as front panel M1 button	[HK] [HK] ↑	N/A
Same as front panel M2 button	[HK] [HK] ↓	N/A
Get Port Status	N/A	//?? [ENTER]

CUSTOM HOTKEY TRIGGERS

Users are able to customize the keys that trigger Hotkeys. The following keys are allowed:

CTRL (Left/ Right), ALT, SHIFT (Left/ Right), Caps Lock, Scroll Lock, F1-F12

Change HK Trigger

HK + HK + X + desired hotkey

View Current HK Trigger

Use the RS-232 command: //?? [ENTER]

Reset HK Trigger

Run "Factory Defaults" command.

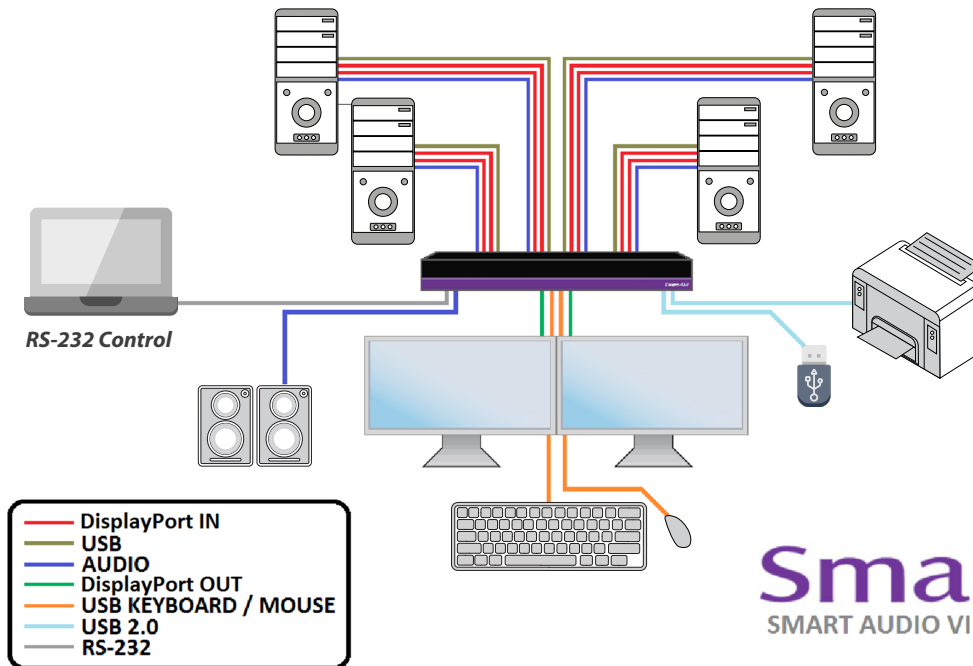
Default HotKey Trigger

CTRL (Left)

HARDWARE INSTALLATION

1. Ensure that power disconnected from the DPN-4Duo
2. Connect the DisplayPort cables, USB cables (male-A to male-B) from the computers to the respective input port on the DPN-4Duo
3. Optionally connect Audio cables (3.5 mm jack) from the computers to the input ports on the DPN-4Duo
4. Connect the USB keyboard and mouse to the two USB ports marked for them on the right
5. Connect the DisplayPort monitor to the OUT connectors on the DPN-4Duo
6. Optionally connect a microphone to the out jack on the DPN-4Duo
7. Optionally connect up to two USB devices to the DPN-4Duo
8. Power on the DPN-4Duo

Note: The two USB ports on the right are dedicated for keyboard and mouse emulation. The two on the left are for other USB peripherals (flash drives, printers, etc.)



Smart-AM
SMART AUDIO VIDEO INNOVATION

DPN-4DUO FRONT



DPN-4DUO BACK

