

TECHNICAL SPECIFICATION

VIDEO	
Link Rate	5.4 Gbps/lane
Input Interface	(16) HDMI (female) Version 2.0
Output Interface	(4) HDMI (female) Version 2.0
Resolution	480i to 4Kx2K @ 60Hz (YUV420)
Input Equalization	Automatic
Video Bandwidth	300 MHz, 10.2 Gbps
HDCP Compliant	Yes
Input/Output Max Cable Length	20 ft (depending on cable quality)
AUDIO	
Input Interface	(4) 3.5 mm Stereo Audio
Output Interface	(1) 3.5 mm Stereo Audio
Frequency Response	20Hz ~ 20KHz
Common Mode	Rejection @ 60dB
Nominal Level	0.0 to 1.0 V
USB	
Signal Type	USB 2.0, 1.1, and 1.0 w/ internal hub
Input Interface	(4) USB Type B
Output Interface	(2) USB 1.1 Type A for K/M (2) USB 2.0 Type A Transparent
CONTROL	
Front Panel	Buttons (SELECT audio/video source)
RS-232	DB9 Female - 115200, N, 8, 1, No flow control
Hot Keys	Via Keyboard
Emulation	Keyboard, Video and Mouse
OTHER	
Power	External 100-240 VAC/ 5VDC4A
Dimensions	4.5" H x 5.75" D x 12.75" W
Weight	5.75 lbs
Approvals	UL, CE, ROHS Compliant
Operating Temp.	32-131 °F (0-55 °C)
Storage Temp.	-4-185 °F (-20-85 °C)
Humidity	Up to 95%

WHAT'S IN THE BOX

PART NO.	Q-TY	DESCRIPTION
UHDN-4P-QUAD-S	1	4-Port Quad Head Ultra 4K-60Hz HDMI KVM Switch
PS5VD4A	1	PS5VD4A Power Supply
Quick Start Guide	1	

NOTICE

The information contained in this document is subject to change without notice. SmartAVI makes no warranty of any kind with regard to this material, including but not limited to, implied warranties of merchantability and fitness for particular purpose. SmartAVI will not be liable for errors contained herein or for incidental or consequential damages in connection with the furnishing, performance or use of this material.

No part of this document may be photocopied, reproduced, or translated into another language without prior written consent from SmartAVI Technologies, Inc.

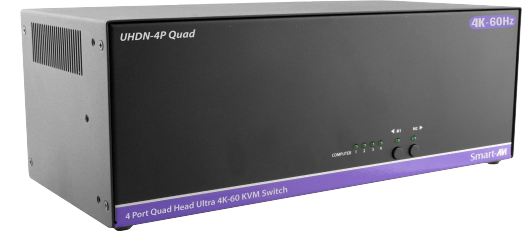


800.AVI.2131, 702.800.0005
2455 W Cheyenne Ave, Suite 112
North Las Vegas, NV 89032

Smart-AVI
SMART AUDIO VIDEO INNOVATION

UHDN-4P-QUAD

**4-Port Quad Head
Ultra 4K-60Hz HDMI KVM
Switch with USB 2.0 and Audio**



**MANAGE 4 COMPUTERS FROM
A SINGLE WORKSTATION**

Quick Start Guide

SmartAVI.com

SYSTEM CONTROL

There are three ways to control the UHDN-4P-QUAD: Keyboard HotKeys, RS-232 Serial Commands, and Front Panel Buttons.

The settings for the serial connection are as follows: Baud rate: **115200**; Data Bits: **8**; Parity: **None**; Stop Bits: **1**; Flow Control: **None**.

The following commands can be used:

Command	HotKey	RS-232
All USB, audio, video	[CTRL] [CTRL] [port#] [ENTER]	//m[port#] [ENTER]
Audio Only	[CTRL] [CTRL] a[port#] [ENTER]	//a[port#] [ENTER]
KM Only	[CTRL] [CTRL] c[port#] [ENTER]	//c[port#] [ENTER]
USB Only	[CTRL] [CTRL] u[port#] [ENTER]	//u[port#] [ENTER]
Learn EDID	[CTRL] [CTRL] e [ENTER]	//e [ENTER]
Trigger Hotplug	[CTRL] [CTRL] h [ENTER]	//h [ENTER]
Reset Software	[CTRL] [CTRL] r	//r [ENTER]
Factory Defaults	[CTRL] [CTRL] f	//f [ENTER]
Same as front panel ◀ M1 button	[HK] [HK] ↑	N/A
Same as front panel M2 ▶ button	[HK] [HK] ↓	N/A
Get Port Status	N/A	//?? [ENTER]

CUSTOM HOTKEY TRIGGERS

Users are able to customize the keys that trigger Hotkeys. The following keys are allowed:

CTRL (Left/ Right), ALT, SHIFT (Left/ Right), Caps Lock, Scroll Lock, F1-F12

Change HK Trigger

HK + HK + X + desired hotkey

View Current HK Trigger

Use the RS-232 command: //?? [ENTER]

Reset HK Trigger

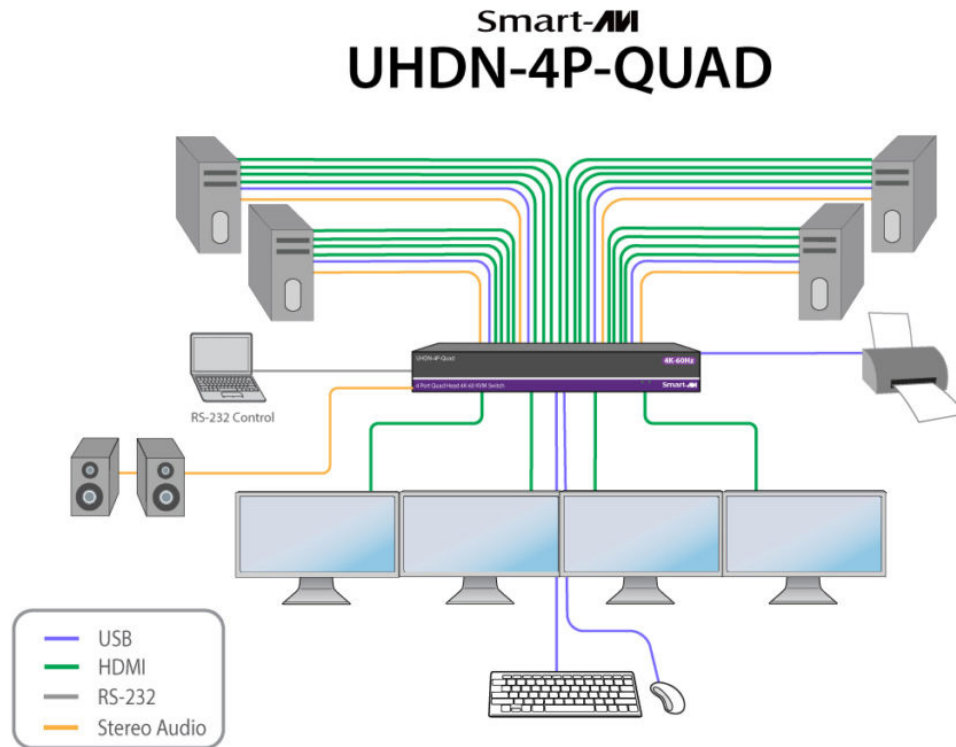
Run "Factory Defaults" command.

Default HotKey Trigger

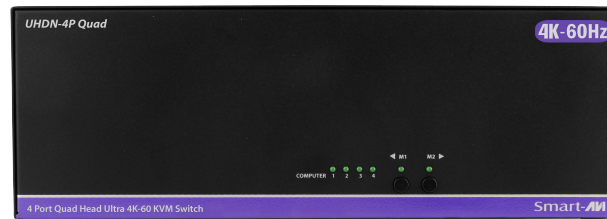
CTRL (Left)

HARDWARE INSTALLATION

1. Ensure that power is disconnected from the UHDN-4P-QUAD.
2. Connect the HDMI cables and USB cables (male-A to male-B) from the computers to the respective ports on the UHDN-4P-QUAD.
3. Optionally connect audio cables from the computers to the respective ports on the UHDN-4P-QUAD.
4. Optionally connect RS-232 for control functions.
5. Connect the USB keyboard and mouse to the two USB ports with keyboard and mouse symbols.
6. Optionally connect speakers to the UHDN-4P-QUAD.
7. Optionally connect up to 2 USB peripheral devices such as printers or flash drives.
8. Connect the display monitor to the OUTPUT connector on the UHDN-4P-QUAD.
9. Power on the UHDN-4P-QUAD.



UHDN-4P-QUAD FRONT



UHDN-4P-QUAD BACK

