

FX-USB V2

USB 2.0 OVER MULTIMODE FIBER EXTENDER



USB 2.0 EXTENDER UP TO 1,500 FEET OVER FIBER OPTIC CABLE

FEATURES

- Top signal quality at maximum extension over multimode fiber (1,500 ft)
- Fiber plug type LC
- Extends USB 2.0 signals up to 1,500 ft from the computer
- Fully compliant with USB 1.1 and 2.0 specifications
- Supports USB 1.1 (12 Mbps) and USB 2.0 (480 Mbps) data rates
- Supports all USB device types from high-speed web cams, hard drives, printers, scanners, audio devices, touch screens, digital cameras and game controllers
- Integrated Four-Port Hub in the receiver
- Compatible with all operating systems
- Fully transparent USB (does not use any emulation)
- Plug and play

APPLICATIONS

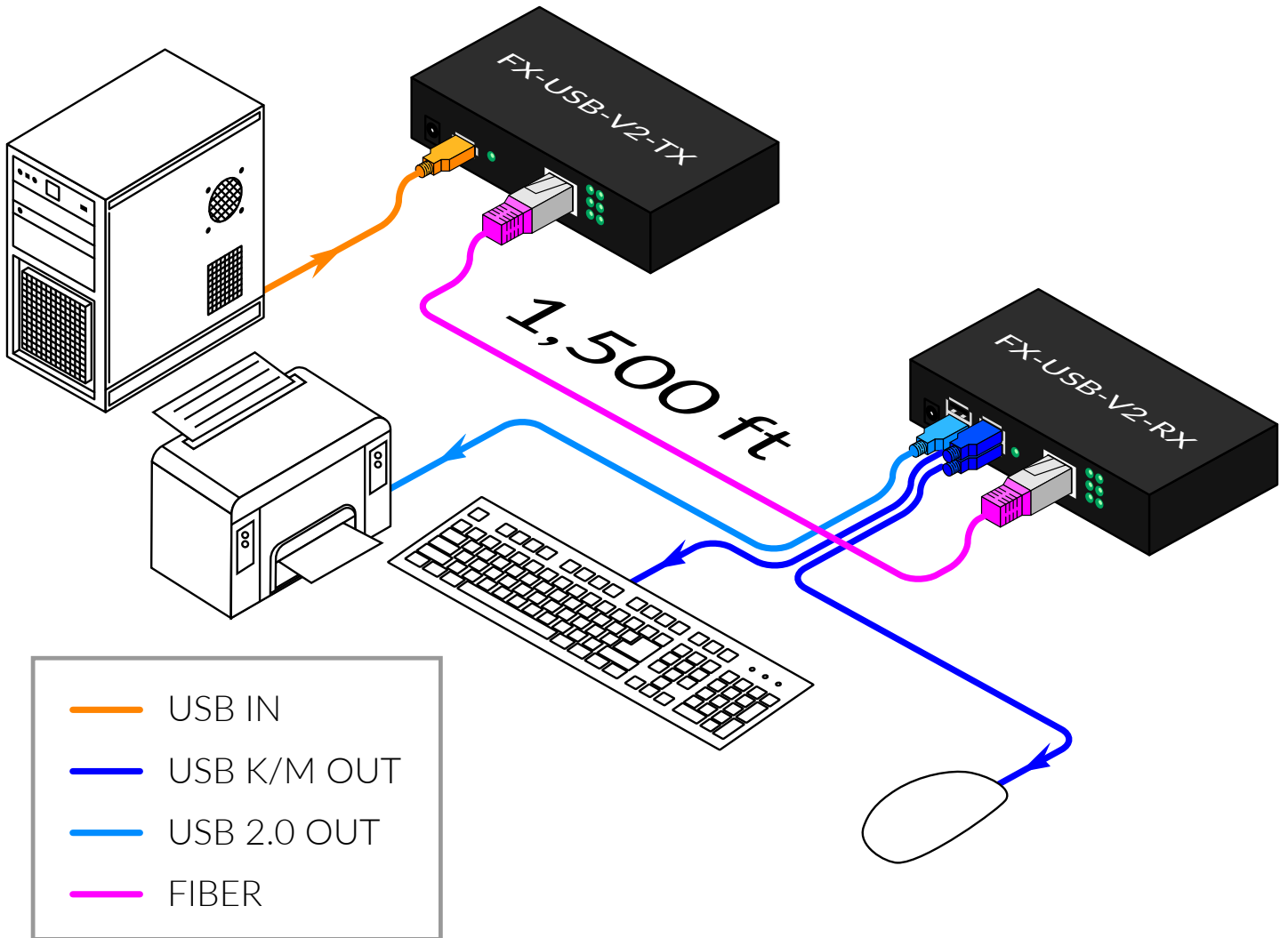
- Medical applications
- Industrial work areas
- Home theater integration
- Digital signage deployment
- Information kiosks/displays
- Film/recording studios



Designed and Manufactured in the USA

OVERVIEW

The FX-USB is a perfect solution for extending USB 2.0 signals from a computer in a remote location. It extends USB 2.0 to a remote location up to 1,500 feet away. It supports all USB device types from high-speed web cams, hard drives, printers, scanners, audio devices, touch screens, digital cameras and game controllers. The FX-USB is immune to electromagnetic interference, making it ideal for use in situations where there is considerable interference. The FX-USB is also very secure because it's fiber optic signals cannot be easily tapped.



EXTEND FOR ANY APPLICATION IN ANY ENVIRONMENT

SECURITY

When managing content in high-security environments, creating a safe and secure control room is critical. In the vast majority of such applications, that requires routing signals from a server room, where the computers are safely stored, to a control room, where approved personnel access the data and video feeds. Whether that's in a security surveillance center, an operations control room or some other security-related environment, being able to extend video, audio and USB is a must.

The FX-USB V2 provides system architects with the flexibility they need to create secure environments for servers as well as the end users accessing those computers. And with video signal extension, users can manage their connected computers with expanded display options, enabling them to stay in control of their content at all times.

DIGITAL SIGNAGE

Managing a multi-screen digital signage solution requires some important foresight regarding the signal path to those informative and attractive displays. Particularly when it comes to properly scheduled, updated and managed content being displayed, it's much more efficient to keep all of the digital signage hardware in one central location and to extend the video signals out from there.

That means signal extension is an important part of a smart digital signage solution, and the FX-USB V2 gives users the flexibility they want and need to place their digital signage screens in the right locations to maximize their effectiveness.

AUDIO AND VISUAL RECORDING

For users in the recording arts, maintaining the utmost in signal and recording fidelity is an absolute necessity. For video recording, it is often important that no unsightly computers are visible. Similarly, audio engineers must keep noisy computers away from the rooms where recording happens to ensure the final product sounds professional. In both such instances, the FX-USB V2 gives users the ideal way to keep their servers or computers away from areas that audio or video recording is being done, ensuring a better final product.

EXTENDER UNITS



FX-USB-V2-TX



FX-USB-V2-RX

TECHNICAL SPECIFICATIONS

USB	
USB Standard	Support USB2.0 protocol
Input Interface (TX)	(1) USB Type A (female)
Output Interface (RX)	(4) USB Type A (female)
OPTICAL	
Interface	FC/SC
Extend Distance	Single mode: 0-20 km Multimode: 0-2 km
Wavelength	850nm/1310nm/1550nm

OTHER	
Power Supply (TX/RX)	DC12V/1.5-2A
Dimensions (TX/RX)	6.3" L x 5" W x 1.2" H
Weight (TX/RX)	3.6 lbs
Operating Temperature	32-131 °F (0-55 °C)
Storage Temperature	-4-185 °F (-20-85 °C)
Humidity	Up to 95% (non-condensing)

PART NO.	DESCRIPTION
FX-USB-V2-S	USB 2.0 over Multimode Fiber Extender. Includes: [FX-USB-V2-TX-S, FX-USB-V2-RX-S, CCUSBAB06 and 2 X (PS5VD4A)]

www.smartavi.com

Tel: (800) AVI-2131 • (702) 800-0005
2455 W Cheyenne Ave, Suite 112
North Las Vegas, NV 89032

Smart-AVI
SMART AUDIO VIDEO INNOVATION